

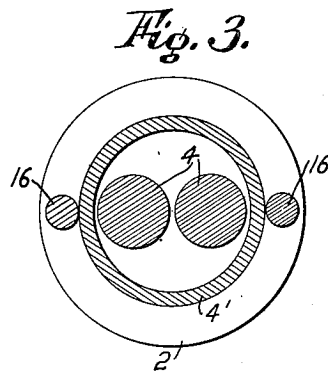
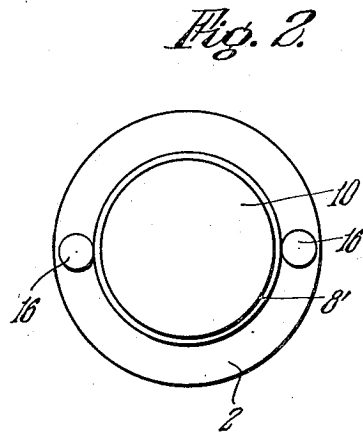
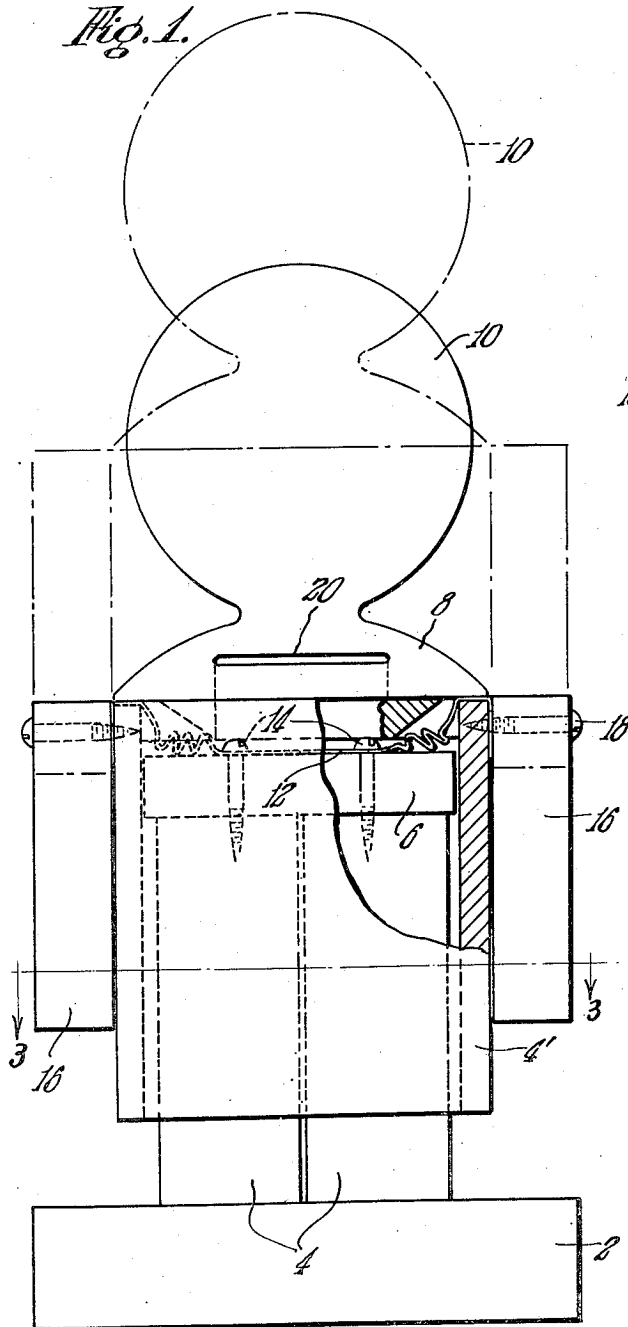
Dec. 6, 1949

E. P. LEPPER

2,490,275

TOY BANK

Filed Sept. 25, 1946



INVENTOR.
Edwin P. Lepper.
BY *Walter C. Ross.*
Attorney.

UNITED STATES PATENT OFFICE

2,490,275

TOY BANK

Edwin P. Lepper, Springfield, Mass.

Application September 25, 1946, Serial No. 699,133

3 Claims. (Cl. 46—2)

1

This invention relates to toy banks.

The principal objects of the invention are the provision of a toy bank which has a receptacle that is extensible as it is filled with coins so as to indicate that the bank is being filled.

According to special features of the invention, the construction is such that the bank may be decorated to simulate a doll or the like, and as the bank fills up the simulation appears to grow taller, all of which is accomplished by a novel combination and arrangement of parts as will be hereinafter described.

With the foregoing and various other novel features and advantages and other objects of my invention as will become more apparent as the description proceeds, the invention consists in certain novel features of construction and in the combination and arrangement of parts as will be hereinafter more particularly pointed out in the claims hereunto annexed and more fully described and referred to in connection with the accompanying drawings wherein:

Fig. 1 is an elevational view of a bank embodying the novel features of the invention with parts broken away for clearness;

Fig. 2 is a plan view of the bank shown in Fig. 1, and

Fig. 3 is a sectional view along line 3—3 of Fig. 1.

Referring now to the drawings more in detail, the invention will be fully described.

A base 2 is provided upwardly from which extend uprights 4 which have their lower portions secured to the base in any suitable manner. A platform 6 is secured to the upper ends of the uprights 4 and a tubular body member 4' encircles the platform 6 and is movable up and down relative thereto. A closure 8 is secured to the upper end of the tubular body member 4' by any suitable means and it may carry an upper member 10 if desired.

A tape 12 is secured by screws 14 or the like to the platform 6 and its upper opposite ends extend between the body member 4' and the closure 8. Member 16 is secured to the member 4' by screws 18 or the like which pass through the ends of the tape 12.

The member 8 is provided with a coin slot 20 therethrough as shown.

In the position of the parts shown, the body 4' is in its lowermost position and as coins are dropped or inserted in the slot 20, the member 8 is elevated slightly to permit the coin or coins to pass through the slot and then said member 8 is released so that it rests on the coin or coins deposited and resting on member 6.

The platform, tubular body and end member form a closure or coin receptacle whereby the body and end member are supported by the end member which rests on the coins which in turn

2

rest on the platform. The receptacle is elongated as the body is moved upwardly relative to the supporting means as additional coins are inserted through the coin slot and the coin deposit on the platform increases in height.

That is to say as coins are successively deposited in the receptacle the member 8 is elevated relative to the platform after which said member 8 is lowered to rest on the coins. In this way the receptacle is elongated or extended so that successive portions of the supporting means 4 are exposed below the body 4'.

The bank may be decorated to simulate a doll or the like. As the receptacle is filled with coins, since the body becomes elevated relative to the supports 4 the doll has the appearance of becoming taller as successive coins are deposited in the bank. The members 4 may be decorated to simulate legs and the body may be decorated to simulate clothing while the members 16 may be decorated to represent arms. The member 10 attached to the part 8 may represent the head of the doll and is adapted for manual engagement. The bank may be decorated to simulate objects other than a doll.

It will be seen that the ends of the tape are disposed between the members 4' and 8 and members 4' and 16 and that by separating members 4' and 8 the coins may be removed.

The invention may be embodied in other specific forms without departing from the essential characteristics thereof. Hence, the present embodiments are therefore to be considered in all respects merely as being illustrative and not as being restrictive, the scope of the invention being indicated by the appended claims rather than by the foregoing description, and all modifications and variations as fall within the meaning and purview and range of equivalency of the appended claims are therefore intended to be embraced therein.

What it is desired to claim and secure by Letters Patent of the United States is:

1. As a new article of manufacture, a toy bank comprising in combination, vertically extending supporting means, a platform member at the upper side of said means for supporting coins, and a tubular body closely surrounding said platform member freely slidable up and down relative thereto, said tubular body having an upper end member forming a closure for its upper end and having a coin slot therethrough, said platform and body and end member forming a coin receptacle, said body and end member being supported by the end member resting on coins on said platform member and the receptacle being elongated as said body is moved upwardly relative to said means accordingly as additional coins are inserted in the coin slot and the coin deposit on said platform member is increased in height.

3

2. As a new article of manufacture, a toy bank simulating a doll comprising in combination, vertically extending supporting means simulating legs, a platform member at the upper side of said means for supporting coins, a tubular body closely surrounding said platform member freely slidable up and down relative thereto, said tubular body having an upper end member forming a closure for its upper end, said end member having a coin slot therethrough, said platform, body and end member forming a coin receptacle whereby said body and end member are supported by the end member resting on coins on said platform and the receptacle is elongated as the said body is moved upwardly relative to said supporting means accordingly as additional coins are inserted in the coin slot and the coin deposit on the platform increases in height, members simulating arms secured to opposite sides of said body, and a member simulating a head secured to said end member which is manually engageable for moving said body and said end member upwardly relative to said platform member.

3. A toy bank simulating a doll comprising in combination, a vertically extending supporting means simulating legs having a platform at the upper side thereof for supporting coins, a tubular body circular in cross section closely surrounding said supporting means freely slidable up and down relative thereto and having a slotted upper end

4

member forming a closure for the upper end of said body, said body and said platform and the end member forming a coin receptacle whereby said body and said end member are supported by the end member resting on coins on the platform of said supporting means and the receptacle is elongated as said body is moved upwardly relative to said supporting means accordingly as additional coins are inserted in the end member and the coin deposit on the platform increases in height, members simulating arms secured to opposite sides of said body, and a member simulating a head secured to the end member which is manually engageable for moving said body and the end member upwardly relative to the platform of said supporting means.

EDWIN P. LEPPER.

REFERENCES CITED

20 The following references are of record in the file of this patent:

UNITED STATES PATENTS

Number	Name	Date
25 1,136,772	Buffenbarger	Apr. 20, 1915
2,320,302	Robins	May 25, 1943

FOREIGN PATENTS

Number	Country	Date
30 253,030	Great Britain	June 10, 1926