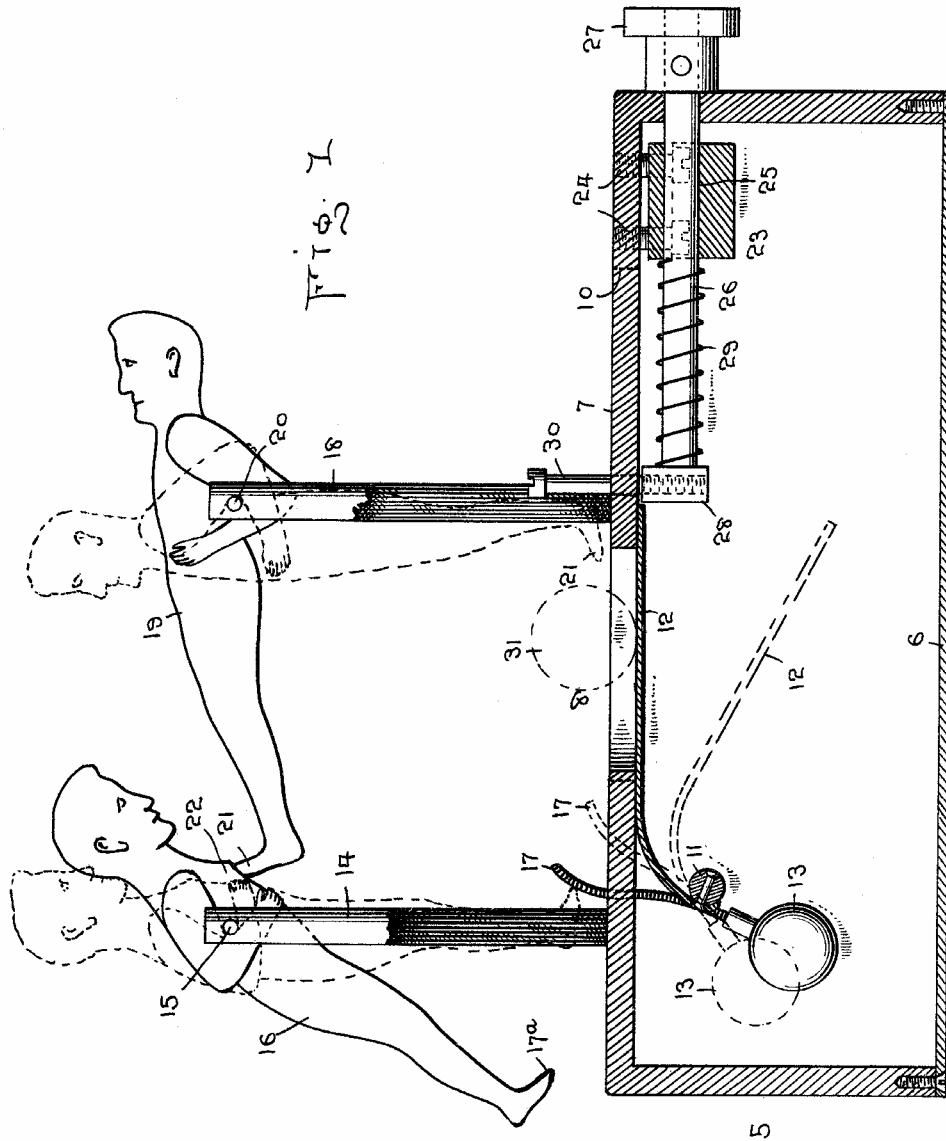


A. DADE & A. G. BROCK.
SAVINGS BANK.
APPLICATION FILED JUNE 14, 1913.

1,100,356.

Patented June 16, 1914.

2 SHEETS-SHEET 1.



A. G. Brock
and A. Dade
Inventors

Witnesses
Thomas Riley
M. Newcomb

By W. J. Fitzgerald
Attorney

1,100,356.

Patented June 16, 1914.

2 SHEETS—SHEET 2.

Fig. 2.

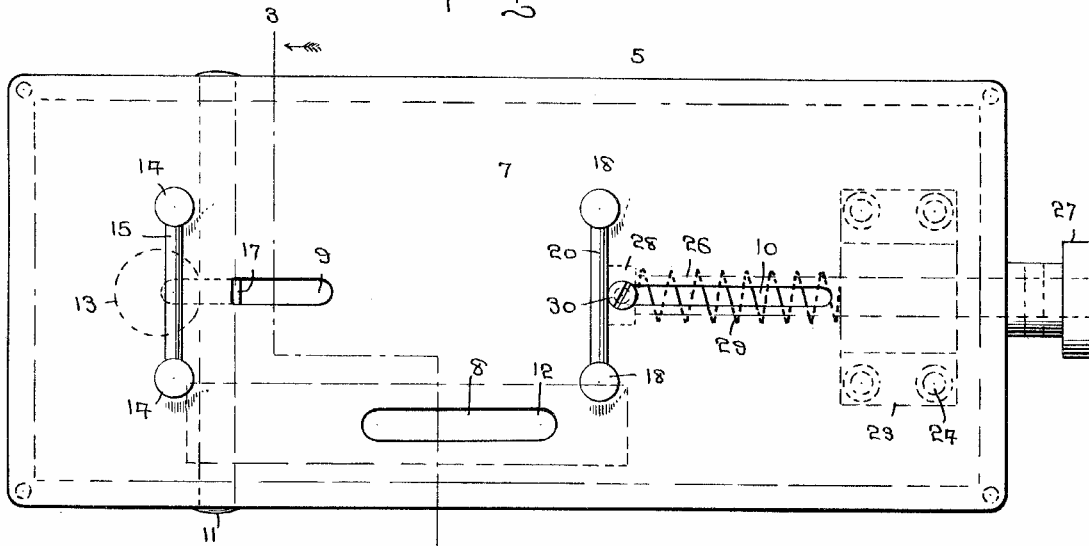
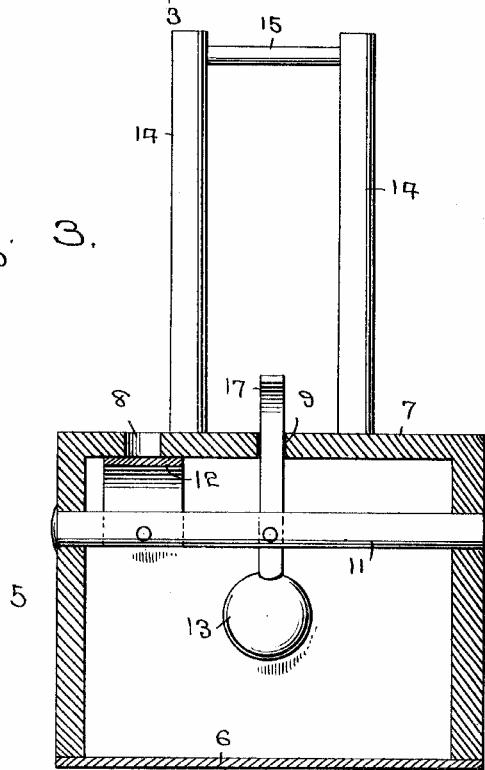


Fig. 3.



J. G. Brock
 and J. Dade
 Inventors

Witnesses

Thomas Riley
 M. Newcomb

By W. J. FitzGerald
 Attorneys

UNITED STATES PATENT OFFICE.

ALBERT DADE AND ALICE G. BROCK, OF FRANKFORT, NEW YORK.

SAVINGS-BANK.

1,100,356.

Specification of Letters Patent.

Patented June 16, 1914.

Application filed June 14, 1913. Serial No. 773,707.

To all whom it may concern:

Be it known that we, ALBERT DADE and ALICE G. BROCK, citizens of the United States, residing at Frankfort, in the county of Herkimer and State of New York, have invented certain new and useful Improvements in Savings-Banks; and we do hereby declare the following to be a full, clear, and exact description of the invention, such as will enable others skilled in the art to which it appertains to make and use the same.

This invention relates to savings banks and particularly to the class of toy savings banks, the primary object of the invention being to provide an improved device of this character which will be amusing in its operation, not extravagantly costly to manufacture, and not liable to breakage or excessive wear under ordinary usage.

A specific object of the invention is to provide an improved device of the specified class in which coins are permitted to enter the box of the bank by operating figures mounted on the top of the box which imitate acrobats, and to provide improved means for operating said acrobats.

A further specific object of the invention is to provide an improved device of the character specified comprising a box with a slot, a normally closed door for said slot, a pair of horizontal bar performers mounted on the box and means whereby one of said performers is actuated, and it in turn actuates the other performers, and the last named performer opens the door by his movement, said door being automatically closed.

With these objects in view, the invention consists in the improved construction, arrangement and combination of the parts of a device of the character specified, which will be hereinafter fully described, and afterward specifically claimed.

In order that the construction and operation thereof may be readily comprehended, we will now proceed to fully describe our invention in connection with the accompanying drawings, which illustrate an approved embodiment thereof, and in which drawings,

Figure 1 represents a vertical sectional view on a plane cutting longitudinally

through the box to one side of the poles, parts of the poles being broken away and the acrobats being shown in elevation in full lines in the positions when one is about to actuate the other, and in dotted lines in other positions. Fig. 2 represents a top plan view with the acrobats removed and some concealed parts shown in dotted lines. Fig. 3 represents a vertical sectional view on the plane indicated by the broken line 3—3 of Fig. 2.

Like reference characters mark the same parts in all of the figures of the drawings.

Referring specifically to the drawings, 5 indicates a box, of any suitable outline and material, preferably provided with a removable bottom 6, and having in its top 7 a coin slot 8, a supplementary slot 9, which will be called the "arm" slot, and a third slot 10, which we will denominate the "pin" slot. A cross bar 11 is pivotally mounted in the sides of the box and to this cross bar is secured a door 12 which is normally held up against the inside of the top of the box, by a weight 13, thus normally closing the coin slot. Mounted on top of the box are two vertical bars or poles 14 in which is mounted a horizontal bar 15 which forms the pivotal support of a figure 16 representing an acrobat of the class known as horizontal bar performers. An arm 17 projects from the cross bar 11 upward through the arm slot 9 in the path of the toes 17^a of the figure 16 when the latter is swung on its bar 15. At 18 is another pair of poles and a figure 19 is swung on a horizontal bar 20 between said poles in a position to cause its toes 21 to strike the breast 22 of the figure 16, when said figure 19 is swung upon its horizontal bar 20. At 23 is shown a block suspended by screws 24, inside the box, said block being provided with a longitudinal bore 25 to receive a slidable bar 26 which projects slidably through the end of the box and is provided with a knob 27, or other suitable hand hold. A block 28 is secured to the inner end of the bar 26 and a spring 29 is coiled around the bar between said blocks 28 and 23, normally pressing the bar inward. A pin 30 secured in the block 28 passes out through the slot 10 into a normal position which will cause the figure 19 to

lean against it when hanging in its normal position, such position being indicated in dotted lines.

The figure 16 being in its normal position of rest, as shown in full lines in Fig. 1, and the figure 19 being in the dotted line position shown in the same figure, a coin, as indicated at 31 in dotted lines, is set up in the slot 8, when, by drawing out the bar 26 and releasing it, it will be carried quickly inward by the spring 29 and the pin 30 will strike the lower part of the figure 19. This will cause this figure to swing on its axis at 20 and its toes 21 will strike the breast 22 of the figure 16, causing the nether portion of said figure to swing quickly to the right, (referring to Fig. 1) and its toes 17^a to strike the arm 17, moving it to the right, turning the bar 11 and swinging the door 12 downward to the dotted line position. The coin will now slide through the slot 8, off the door 12 and into the box 5, when the figure 16 will resume its position of rest, as in dotted lines in Fig. 1, and the weight 13 will bring the arm 17 and the door 12 back to their normal positions ready for another operation, the figure 19 and bar 26 having already assumed their normal positions.

It will be obvious from the foregoing that we have provided a quite simple and economically constructed toy bank, the operation of which, as hereinbefore described, will afford great amusement for both children and adults, and that the structure is not complicated and not liable to breakage or damage from ordinary wear. It will be further obvious to those skilled in the art to which the invention most nearly appertains that slight changes and variations may be made in the construction and arrangement of the parts as hereinbefore specifically described, within reasonable limitations, without departing from the spirit and scope of the invention.

Having thus fully described our invention, what we claim and desire to secure by Letters Patent of the United States is:—

1. A toy savings bank comprising a box having a coin slot in its top, a normally closed door for said slot, a pair of movable acrobat figures mounted on top of the box, and means whereby the movement of said figures opens the door.

2. A toy savings bank comprising a box having a coin slot in its top, a normally closed door for said slot, a pair of movable acrobat figures mounted on top of the box, means whereby the movement of said figures opens the door, and means for actuating one of said figures against the other whereby the action of the last named figure opens the door.

3. A toy savings bank comprising a box having a coin slot in its top, a normally

closed door for said slot, a pair of figures pivotally mounted on horizontal bars above the box in relative positions to cause one of said figures to actuate the other when the first is swung on its pivotal bar, and connections whereby the pivotal movement of the last named figure opens the door.

4. A toy savings bank comprising a box having a coin slot in its top, a normally closed door for said slot, a pair of figures pivotally mounted on horizontal bars above the box in relative positions to cause one of said figures to actuate the other when the first is swung on its pivotal bar, connections whereby the pivotal movement of the last named figure opens the door, the actuating means comprising a spring pressed bar adapted to strike the first named figure below its pivot when released, and an attachment from the door extending in the path of movement of the last named figure.

5. In a toy savings bank, the combination of a box having a coin slot and a supplementary slot in its top, a weighted pivoted door inside the box normally held up against the top of the box, closing the coin slot, a pair of poles mounted on the top of the box, a figure horizontally swung between said poles in a position to cause its lower end to strike the attachment from the door when oscillated, and means for oscillating the figure.

6. In a toy savings bank, the combination of a box having a coin slot and a supplementary slot in its top, a weighted pivoted door inside the box normally held up against the top of the box, closing the coin slot, a pair of poles mounted on the top of the box, a figure horizontally swung between said poles in a position to cause its lower end to strike the attachment from the door when oscillated, means for oscillating the figure, said means comprising a second pair of poles, a second figure horizontally swung between said second pair of poles in a position to cause the second figure when oscillated to strike and oscillate the first figure, and means for oscillating the second figure.

7. In a toy savings bank, the combination of a box having a coin slot and a supplementary slot in its top, a weighted pivoted door inside the box normally held up against the top of the box, closing the coin slot, a pair of poles mounted on the top of the box, a figure horizontally swung between said poles in a position to cause its lower end to strike the attachment from the door when oscillated, means for oscillating the figure, said means comprising a second pair of poles, a second figure horizontally swung between said second pair of poles in a position to cause the second figure when oscillated to strike and oscillate the first figure, and means for oscillating the second figure com-

prising a bar slidably mounted in the box projecting beyond one end thereof and provided with a hand hold, a spring for actuating said bar, and a pin projecting from said bar in position to strike said second figure when the bar is drawn back and released.

In testimony whereof we have signed our

Witnesses:

OTTO LUDWIG,
H. H. INGHAM.

Copies of this patent may be obtained for five cents each, by addressing the "Commissioner of Patents, Washington, D. C."