

H. DUNN.
TOY BANK.

APPLICATION FILED APR. 11, 1905.

Fig. 1.

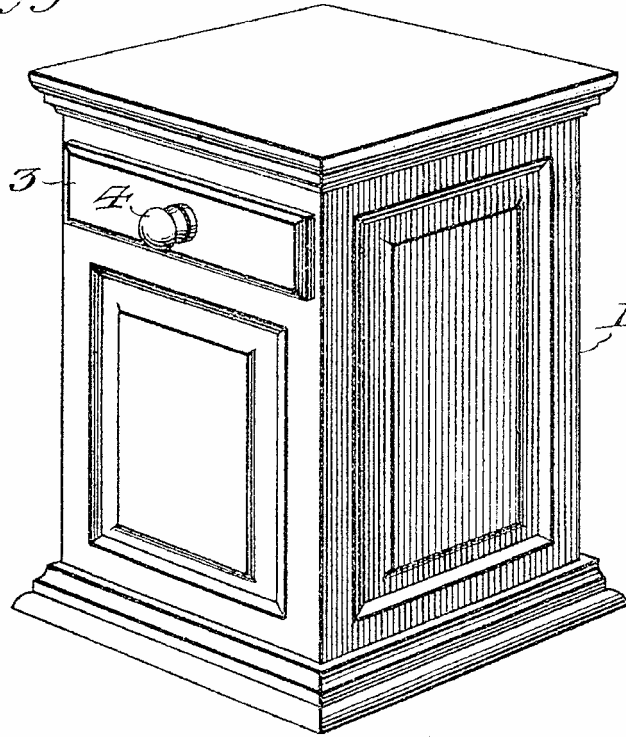


Fig. 2.

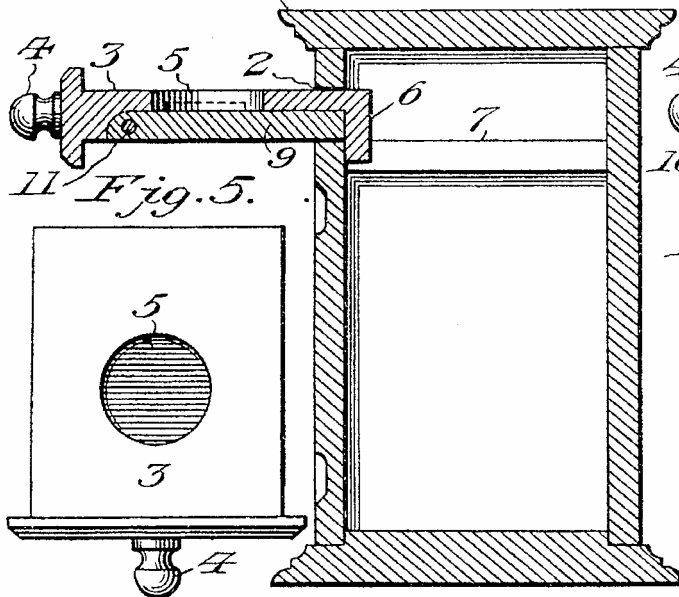


Fig. 3.

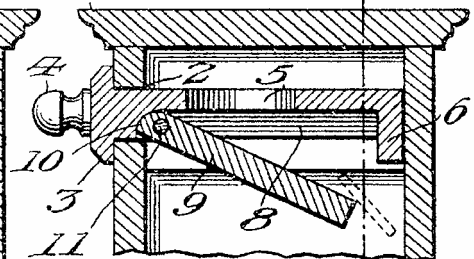


Fig. 5.

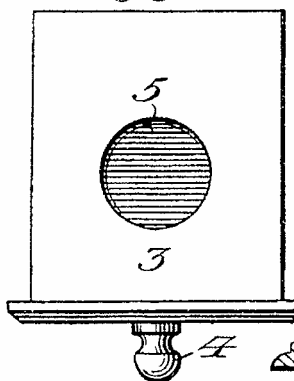
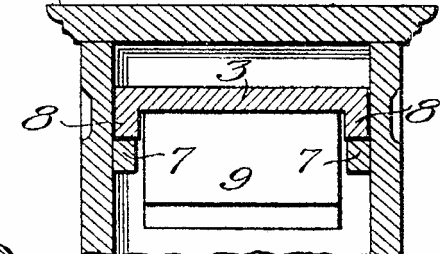


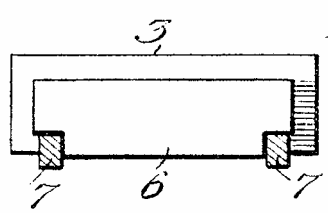
Fig. 4.



Inventor

Harvey Dunn

Witnesses
Edwin G. McKee
J. J. Connor



By
Victor J. Evans
Attorney

UNITED STATES PATENT OFFICE.

HARVEY DUNN, OF GROTON, CONNECTICUT.

TOY BANK.

No. 800,568.

Specification of Letters Patent.

Patented Sept. 26, 1905.

Application filed April 11, 1905. Serial No. 234,977.

To all whom it may concern:

Be it known that I, HARVEY DUNN, a citizen of the United States of America, residing at Groton, in the county of New London and State of Connecticut, have invented new and useful improvements in Toy Banks, of which the following is a specification.

This invention relates to toy banks, and has for its objects to produce a comparatively simple inexpensive device of this character into which the coins may be readily deposited, one in which the coin-receiving member will move by gravity under the influence of the weight of the coin for depositing the latter, one from which the contents cannot be removed through the entrance-opening, and one wherein the slide will be guided smoothly and evenly in its movements.

With these and other objects in view the invention comprises the novel features of construction and combination of parts more fully hereinafter described.

In the accompanying drawings, Figure 1 is a perspective view of a bank embodying the invention. Fig. 2 is a vertical section centrally from front to rear through the bank. Fig. 3 is a detail view of the upper portion of the bank, showing the coin-receiving member in the act of depositing a coin. Fig. 4 is a detail view in section, taken on the line 4-4 of Fig. 3. Fig. 5 is a top plan view of the sliding member. Fig. 6 is a rear end view of the slide, showing the guideways in section. Referring to the drawings, 1 designates the

body of the bank, which is composed of metal or other suitable material and preferably of box-like form, as illustrated herein. Provided in the front wall of the bank adjacent its top is an opening 2, in which is movably disposed a sliding member or closure 3, equipped with a knob or handle 4 and having a coin-inlet opening 5, there being provided at the rear end of the slide a depending portion or flange 6, constituting a stop to prevent complete withdrawal of the member from the opening 2. Arranged upon the interior of the bank and extending from front to rear thereof upon the side walls is a pair of guide members or cleats 7, the upper edges of which align with the lower edge of the opening 2, while within the lower face of the slide 3 there

is formed a recess 8, in which is pivoted a coin receiving and depositing member 9, preferably in the form of a leaf or section, which fits snugly in the recess 8 and serves to close the opening 5 when the slide is withdrawn, as illustrated in Fig. 2, attention being directed to the fact that the front edge of the leaf 9 is rounded, as at 10, and that the adjacent wall of the recess 8 is correspondingly rounded, whereby the member 9 will swing freely upon its pivot 11 for depositing a coin, as illustrated in Fig. 3.

In practice the sliding member 3 normally rests upon and is supported by the guide members or cleats 7, by which latter it is guided in its movements, attention being directed in this connection to the fact that the end flange 6 bears at its ends upon the outer faces of the cleats 7, thereby obviating lateral movement of the member 3 and insuring smooth free movement of the latter in action. When it is desired to deposit a coin in the bank, member 3 is withdrawn and the coin deposited in the opening 5 upon the member 9, which latter upon return of the member 3 will under the weight of the coin swing to the position illustrated in Fig. 9, thus permitting the coin to drop into the bank.

From the foregoing it is apparent that I produce a comparatively simple inexpensive device in which removal of the contents of the bank through the opening 2 is obviated and one wherein binding of the member 3 in its movements is vitally prevented, it being understood that minor changes in the details herein set forth may be resorted to without departing from the spirit of the invention.

Having thus described my invention, what I claim is—

In a device of the class described, a hollow body provided with an opening, a pair of guide-braces arranged in the body and having their upper edges in alignment with the lower wall of the opening, a slide movably disposed in the opening and having a coin-entrance opening and a depending flange constituting an abutment to prevent withdrawal of the slide from the first-named opening, said slide being adapted for travel upon the upper edges of the guide members and the flange to bear at its ends against the adjacent outer side

faces of said members, the slide having its lower face recessed, and a member pivoted in said recess and designed for closing the coin-opening within the slide, the pivoted end of the member and the adjacent wall of the recess being correspondingly curved to permit free swinging movement of the member.

In testimony whereof I affix my signature in presence of two witnesses.

HARVEY DUNN.

Witnesses:

CHAS. DAY MOULTON,
CARLOS W. ALLYN.