

F. PARTSCH.  
COIN OPERATED MECHANICAL TOY.

(Application filed May 21, 1901.)

(No Model.)

2 Sheets—Sheet 1.

Fig. 1.

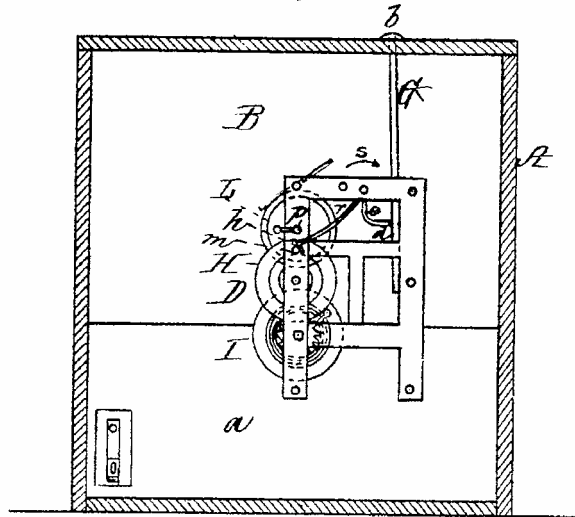


Fig. 2.

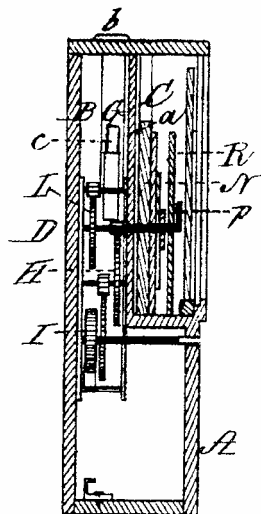
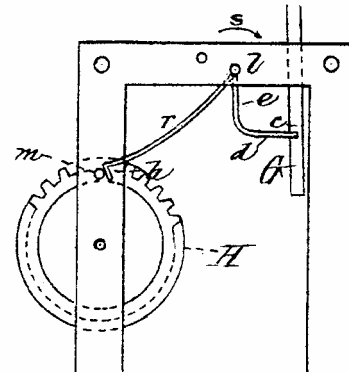


Fig. 3.



Witnesses,  
A. L. Stearns,  
A. R. Cumming.

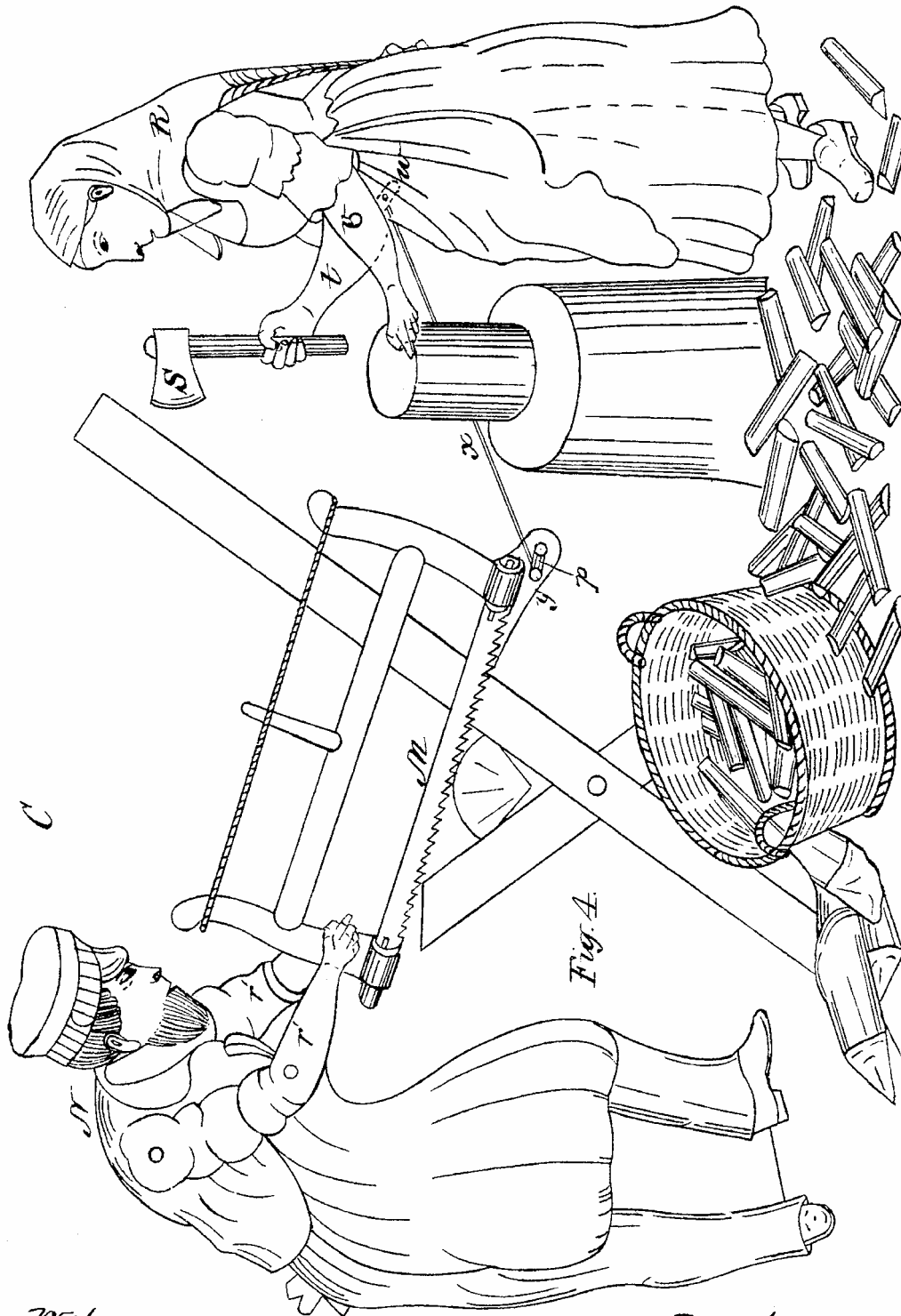
Inventor,  
Frank Partsch,  
per N. W. Stearns,  
Atty.

F. PARTSCH.  
COIN OPERATED MECHANICAL TOY.

(Application filed May 21, 1901.)

(No Model.)

2 Sheets—Sheet 2.



Witnesses,  
A. J. Stearns  
A. R. Cunningham

Inventor,  
Frank Partsch,  
per N. W. Stearns,  
Atty.

# UNITED STATES PATENT OFFICE.

FRANK PARTSCH, OF DORCHESTER, MASSACHUSETTS.

## COIN-OPERATED MECHANICAL TOY.

SPECIFICATION forming part of Letters Patent No. 690,661, dated January 7, 1902.

Application filed May 21, 1901. Serial No. 61,301. (No model.)

*To all whom it may concern:*

Be it known that I, FRANK PARTSCH, of  
Dorchester, county of Suffolk, State of Mas-  
sachusetts, have invented certain Improve-  
5 ments in Mechanical Figure Toys, of which  
the following is a full, clear, and exact de-  
scription, reference being had to the accom-  
panying drawings, making part of the speci-  
fication, in which—

10 Figure 1 is a front elevation of the operat-  
ing mechanism. Fig. 2 represents an end  
view of the same, located in one compart-  
ment of a case and a section of the toy fig-  
ures located in another compartment, the  
15 scale being double that of Fig. 1; Fig. 3, the  
mechanism for liberating the spring-power  
of a train of clockwork, the scale being four  
times that of Fig. 1; Fig. 4, the figures to be  
exhibited and set in motion on a larger scale.

20 This invention relates to that class of me-  
chanical toys designated (under the present  
classification of patentable inventions) as  
"exhibitors," in which miniature figures are  
operated by clockwork which sets in motion  
25 said figures, thus affording a source of amuse-  
ment at a trifling cost within the reach of  
all; and my invention consists in the combi-  
nation, with a clockwork, a crank-shaft, and  
a releasing and arresting mechanism, of the  
30 miniature figures of a wood-sawyer and a  
wood-splitter, the saw and ax being given a  
natural reciprocating motion, the said toy  
being inclosed within a case, the several fea-  
tures being hereinafter fully described and  
35 specifically claimed.

In the said drawings, A represents a case di-  
vided by a partition *a* into two compartments  
BC, in one, B, of which are located a train of  
clockwork D and a tube G, said tube project-  
40 ing up through the top of the case and being  
accessible from the outside at its open end *b*.  
Into the slit *c* on the inner side of the tube  
projects the lower or horizontal branch *d* of  
a short arm *e*, secured at its top to a pivoted  
45 post *l*. To the same post is also secured the  
upper end of a long arm *r*, the lower end of  
which is bent to form a hook *h*, which in its  
normal position hangs down into the path of  
a pin *m* on the face of the middle gear-wheel  
50 H as it is revolved by the power of the spiral  
spring I. When a penny is dropped down  
the slot onto the end of the short arm *e*, it is

depressed, which causes the pivoted post *l* to  
make a partial revolution in the direction of  
the arrow *s*, Figs. 1 and 3, elevating the hook 55  
from contact with the pin *m*, thus allowing  
the spring I to assert itself and set the train  
in motion.

On one end of the shaft of the upper gear-  
wheel L is a crank *p*, which projects through 60  
the partition *a* and has secured thereto the  
lower end of the figure of a saw M, connected  
with and apparently grasped at its upper end  
by the pivoted arms *r'* of the figure of the 65  
sawyer N, the crank thus causing the saw to  
have a natural reciprocating motion similar  
to that given by a living person in sawing  
wood.

R is a figure representing a wood-splitter  
having a pivoted arm *t*, holding an ax S. 70  
The arm is pivoted to the figure of the wood-  
chopper at *v*, and to a projection *w*, extend-  
ing out from the elbow, is secured one end of  
a rod, wire, or cord *x*, (but preferably a rigid  
connection,) the other end of which is secured 75  
to the crank *p*, which gives motion to the  
pivoted arm *t* and raises the ax, as seen in  
Fig. 4. When the crank rotates into the po-  
sition shown at *y*, the connection *x* ceases to  
elevate the arm and the ax is caused to de- 80  
scend, its reciprocating movement being simi-  
lar to that given by a living person.

I am aware of the grant of British Patent  
No. 14,561, to Pierce, dated September 17,  
1889, for coin-operated toy, in which is de- 85  
scribed and shown the figures of two fighting  
cocks which are made to go through aggres-  
sive movements by mechanism differing in  
construction from my operating mechanism,  
among which differences are cords secured 90  
to opposite ends of a common arm, notched  
disks, a sliding yoke, tubular frame, and  
toothed wheel meshing into a toothed rack.  
I do not employ said features in the construc-  
tion of my within-described mechanical toy, 95  
and therefore lay no claim thereto.

I claim—

1. In a mechanical figure toy, the combi-  
nation with a crank-shaft and clockwork for  
revolving the same, of the figure of a wood- 100  
sawyer having a pivoted arm and a saw  
grasped by the hands, the figure of a wood-  
chopper having a pivoted arm and an ax  
grasped by one hand, a connecting-rod ex-

tending between the crank-shaft and the wood-chopper's said arm, and an inclosing case subdivided into two compartments, in one of which is located the moving mechanism and in the other, the said figures, all constructed and arranged to operate substantially as described.

2. In a figure toy apparatus, the combination of a clock mechanism, a crank-shaft operated thereby, a figure having pivoted arms, a saw connected at one end to the crank-shaft and at the other to the arms of the said figure, another figure having one arm pivoted

at the elbow, a projection extending from the bent arm on the side of its pivot which is opposite to the hand, and a connection between the said projection and the crank-shaft, substantially as set forth.

In testimony whereof I hereunto sign my name, in presence of two subscribing witnesses, this 11th day of May, 1901.

FRANK PARTSCH.

Witnesses:

N. W. STEARNS,  
A. F. STEARNS.